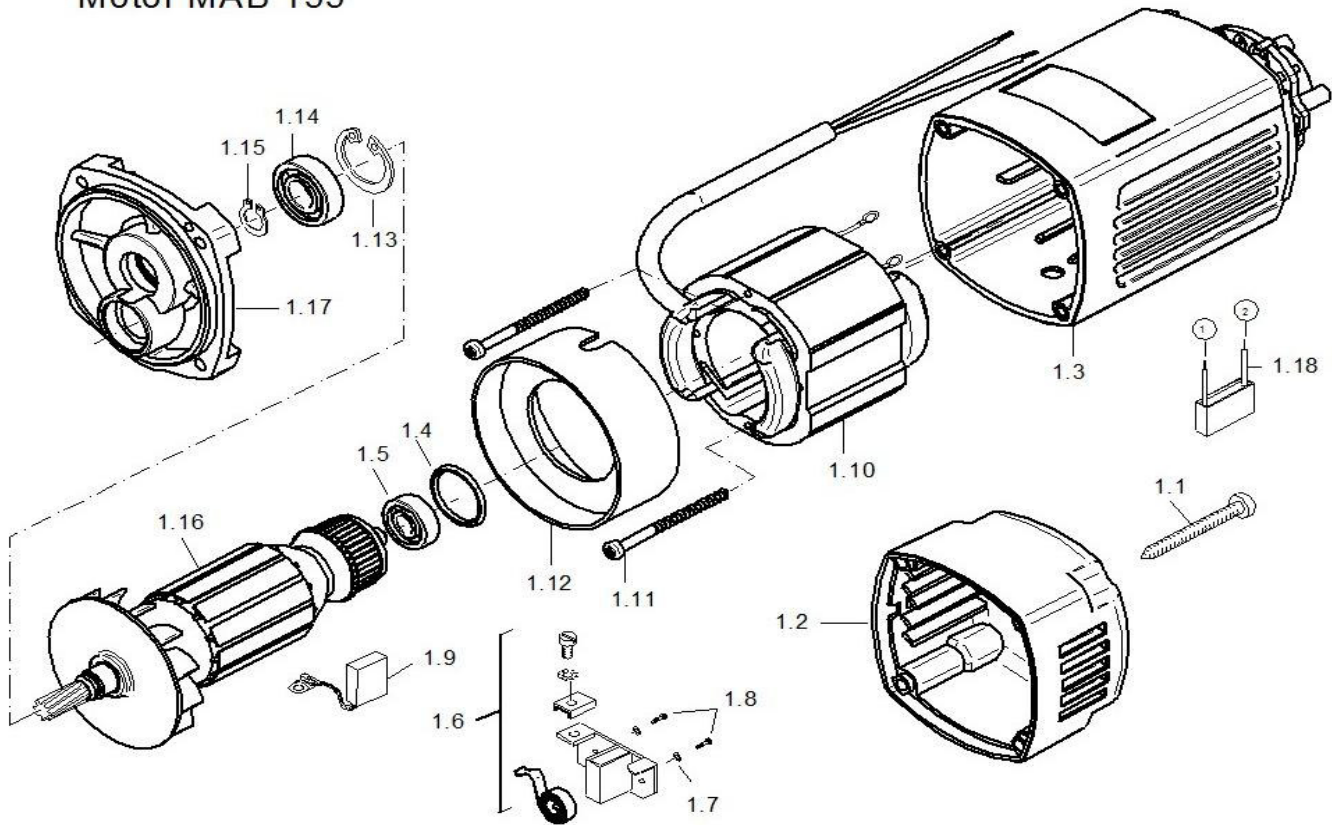
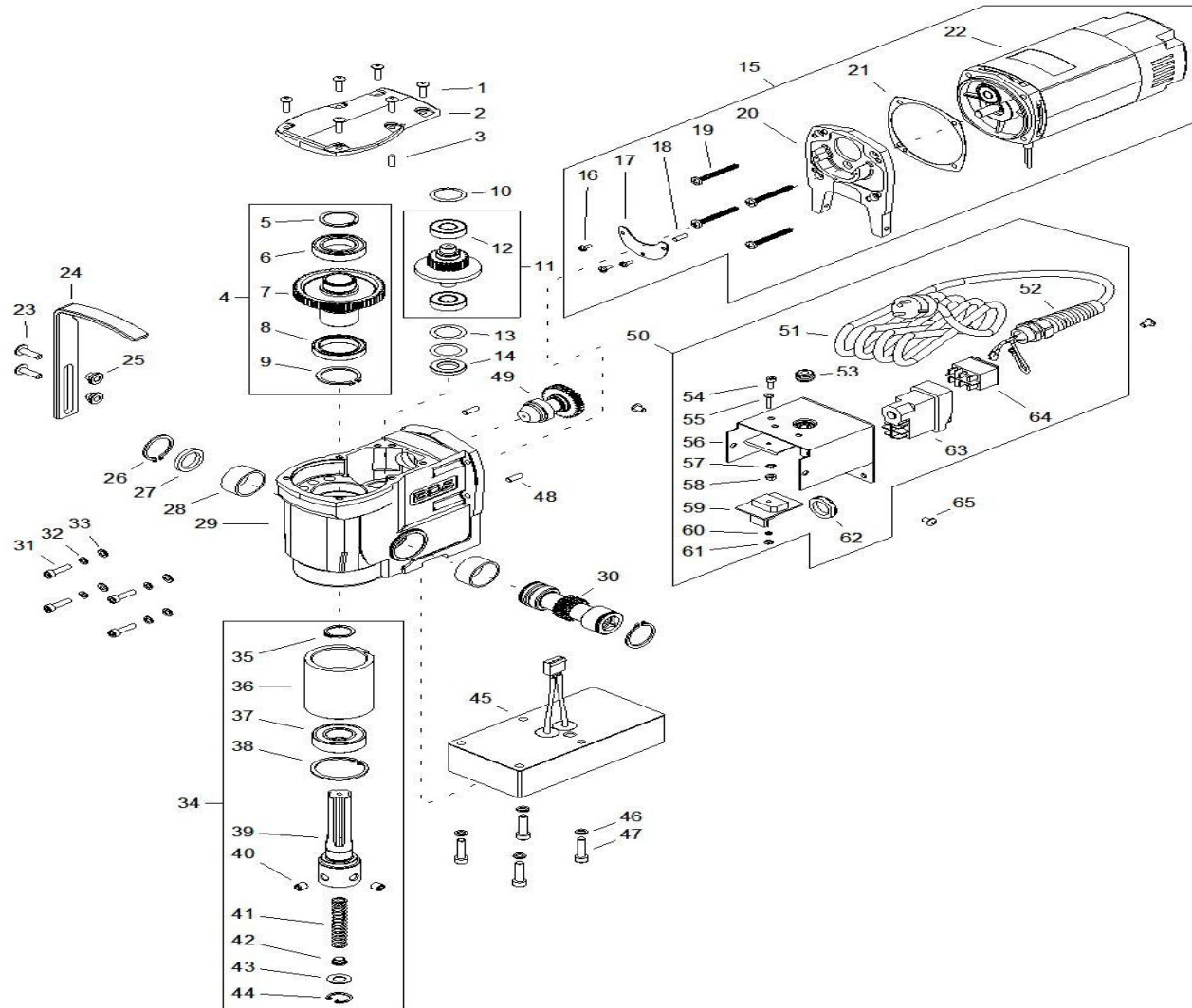


Motor MAB 155

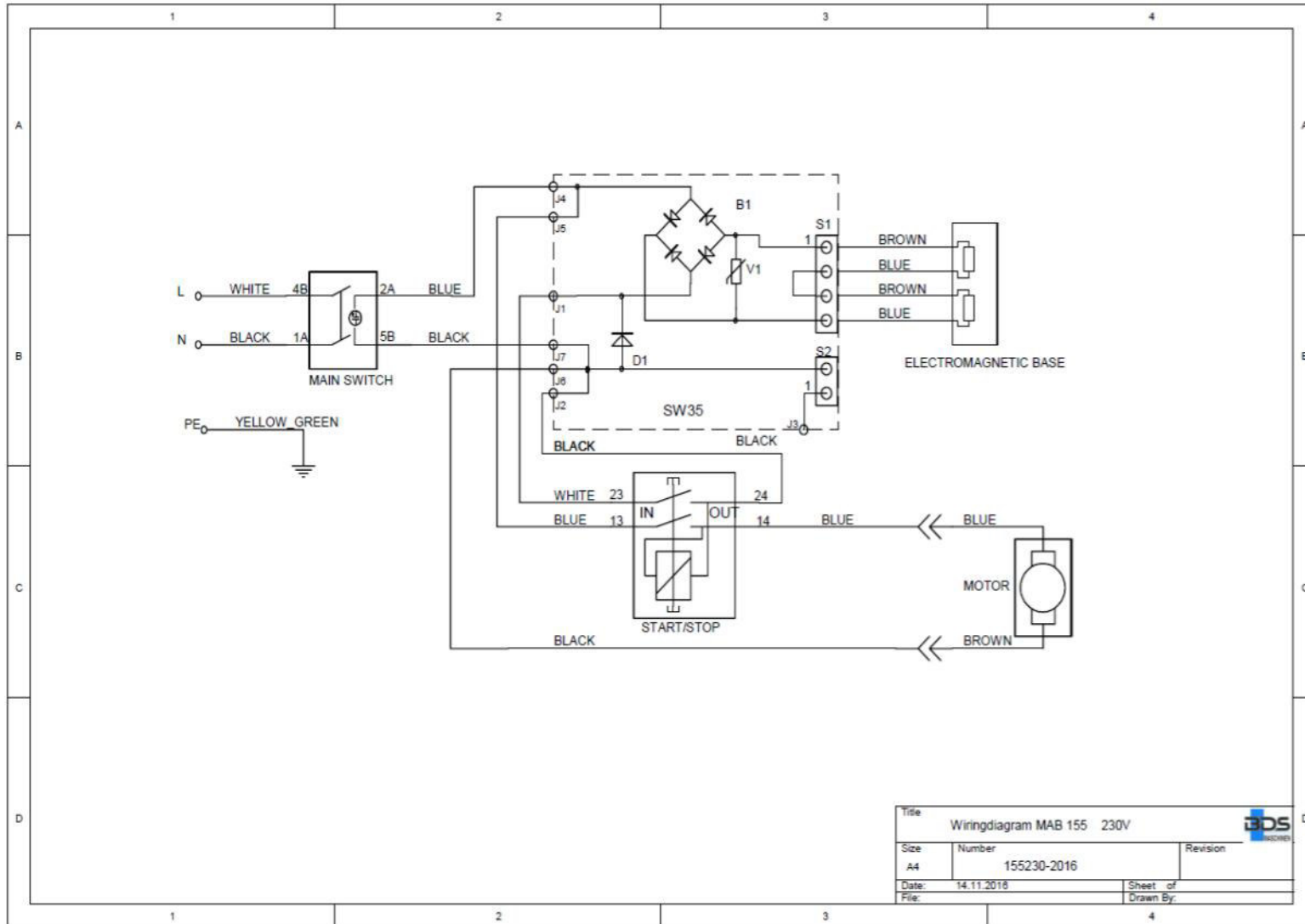


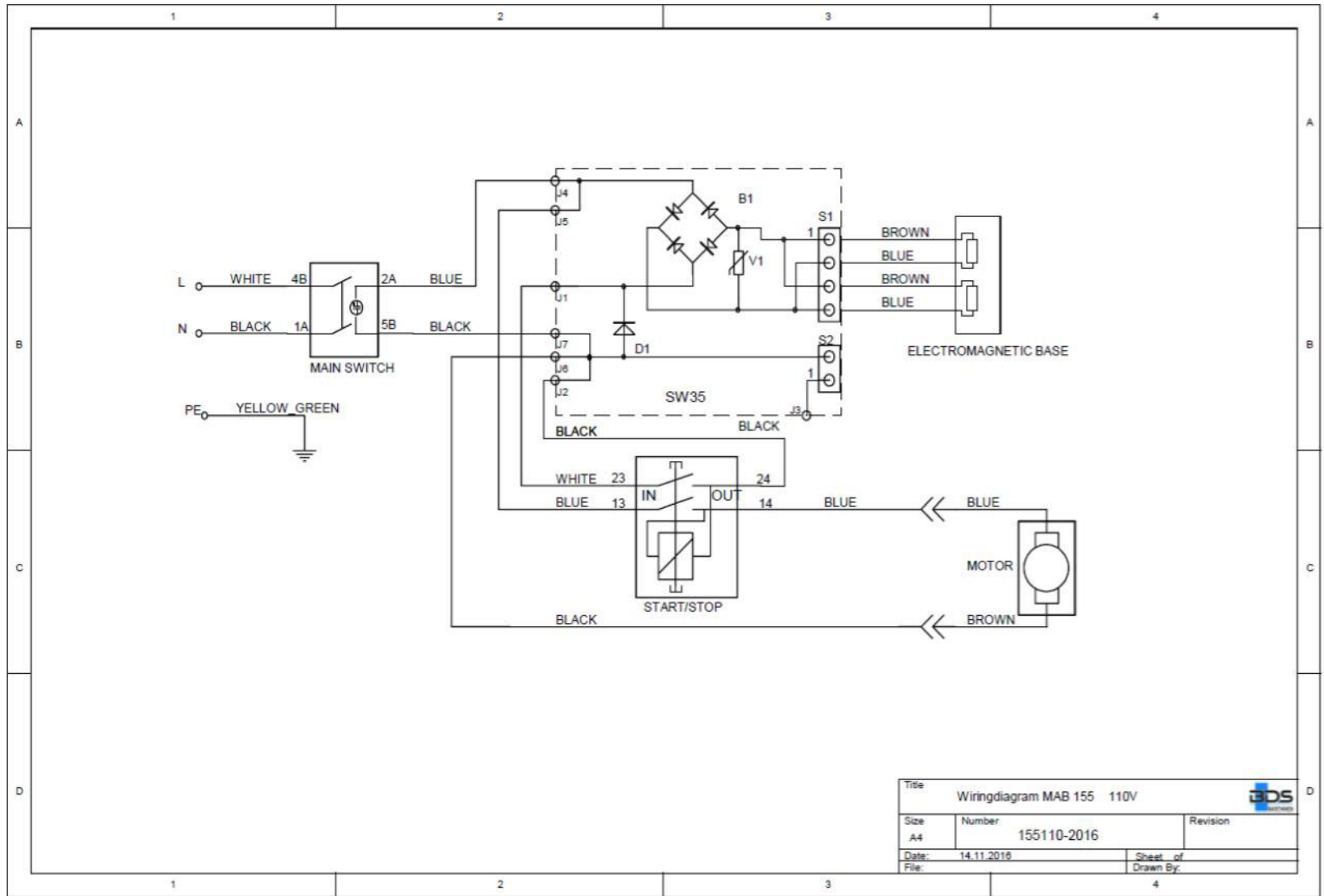
Pos. No.	Article no.	Description	pc.
1.1	5010581	Screw HC 4,8x45 DIN 7981	4
1.2	5015151	Cap for motor housing	1
1.3	5015161	Motor housing	1
1.4	5010591	O-Ring 22x2,5	2
1.5	5010061	Ball bearing 608 2Z	1
1.6	5010561	Carbon brush holder	2
1.7	5013981	Corrugated spring washer B4 DIN 137	4
1.8	5013991	Self tapping screw ZM4 x 12	4
1.9	5010571	Carbon brush 6,3x10x18	2
1.10.1	5015181	Field coil 110V	1
1.10.2	5015171	Field coil 230V	1
1.11	5010031	Screw HC 3,9 x 60 DIN 7981	2
1.12	5010251	Air conducting ring	1
1.13	5010271	Circlip ring 28/1,2 DIN 472	1
1.14	5010081	Ball bearing 6001 2Z	1
1.15	5010261	Circlip ring 10/1 DIN 471	1
1.16.1	5015211	Armature 110V	1
1.16.2	5015201	Armature 230V	1
1.17	5015221	Gearbox bearing plate	1
1.18	5012791	Decoupling capacitor	1



Pos. No.	Article no.	Description	pc.
2.1	6012601	Hexagon socket screw M5x16 DIN 7380	6
2.2	6014751	Cover for gearbox housing	1
2.3	6014761	Cylinder pin 5m6x14 DIN 6235	3
2.4	6015921	Gear shaft complete	1
2.5	6012991	Circlip ring 25Z Type A	1
2.6	6015931	Ball bearing 25x42x9	1
2.7	6015941	Gear shaft	1
2.8	6012921	Ball bearing 6806 LLU	1
2.9	6011921	Circlip ring outside 30x1,5 DIN 471	1
2.10	6015951	Cup spring 27,99x21,74x0,3	1
2.11	6015961	Pinion shaft	1
2.12	5010081	Ball bearing 6001 2Z	2
2.13	5012321	Washer 20x28x0,1 DIN 988	2
2.14	6015971	Adjusting disc	1
2.15.1	6155101	Motor complete 110V	1
2.15.2	6155001	Motor complete 230V	1
2.16	6050181	Screw with cross slot M3x8 DIN 7985	3
2.17	6015981	Cover for gear	1
2.18	7012441	Cylinder pin 4m6x12 DIN 6325	1
2.19	6051191	Screw 5x40 BN13577	4
2.20	6016151	Cover for motor	1
2.21	5014641	Gear box seal	1
2.22.1	5101551	Motor 110V incl. bearing plate	1
2.22.2	5001551	Motor 230V incl. bearing plate	1
2.23	6012871	Hexagon socket cylinder head screw M6x20 DIN 7380	2
2.24	6015991	Handle	1
2.25	6016011	Jack for handle	2
2.26	6010931	Circlip ring for gear wheel	2
2.27	6016021	Gasket	1
2.28	6013871	Bush bearing 28,05H7x32x16	2
2.29	6016031	Housing	1
2.30	6016041	Shaft for gear wheel	1
2.31	6010841	Hexagon socket cylinder head screw M5x20 DIN 912	4
2.32	6012331	Spring washer 5,1 DIN 128	4
2.33	6011501	Washer 5,3 DIN 433	4
2.34	6016051	Hollow shaft complete	1
2.35	6012401	Circlip ring outside 20 teeth DIN 471	1
2.36	6016061	Support for hollow shaft	1
2.37	5012281	Ball bearing 6004 2RS	1
2.38	6012381	Circlip ring inside 42 W	1
2.39	6016071	Spindle	1
2.40	6010181	Hexagon socket set screw M8x8 DIN 913	2
2.41	6012471	Spring for arbor	1
2.42	6012481	Washer	1
2.43	6016081	Washer 18,8x10x1	1
2.44	5013381	Circlip ring inside 19W	1
2.45	6016091	Magnet (electric)	1
2.46	6010021	Spring washer 6,1 DIN 7980	4
2.47	6010111	Hexagon socket head cap screw M6x25 DIN 912	4
2.48	6016101	Hexagon socket screw M5x8 DIN 7380	4
2.49	6016111	Pinion shaft	1
2.50.1	6016121	Switch plate complete with PC board 110V	1
2.50.2	6016131	Switch plate complete with PC board 230V	1
2.51.1.1	7010052	Connection cable 110 V with GB-plug	1
2.51.2.1	7010242	Connection cable 110V with US-plug	1
2.51.1.2	7010042	Connection cable 230V complete with plug	1

Pos. No.	Article no.	Description	pc.
2.52	7010031	Mains cable gland PG 11	1
2.53	6012711	Holder for electronic system LA6	1
2.54	4000111	Hexagon socket cylinder head screw M4x10 DIN 912	1
2.55	6015791	Flat head screw with cross slot M3x16 DIN 7985	1
2.56	6016141	Housing for electronics	1
2.57	6011371	Lock washer 4,3 DIN 6797-A	1
2.58	4010271	Nut M4 DIN 934-8	1
2.59.1	6012552	Control board 110 V	1
2.59.2	6012462	Control board 230 V	1
2.60	6014271	Spring ring 3,2 DIN 128	1
2.61	6014261	Nut M3 DIN 934	1
2.62	6014251	Cord grip round	1
2.63.1	7012161	Actuator 110V	1
2.63.2	7012151	Actuator 230V	1
2.64	7010142	Magnet switch, 4 connection terminals	1





Title		Wiringdiagram MAB 155 110V	
Size	Number	Revision	
A4	155110-2016		
Date:	14.11.2016	Sheet of	
File:		Drawn By:	