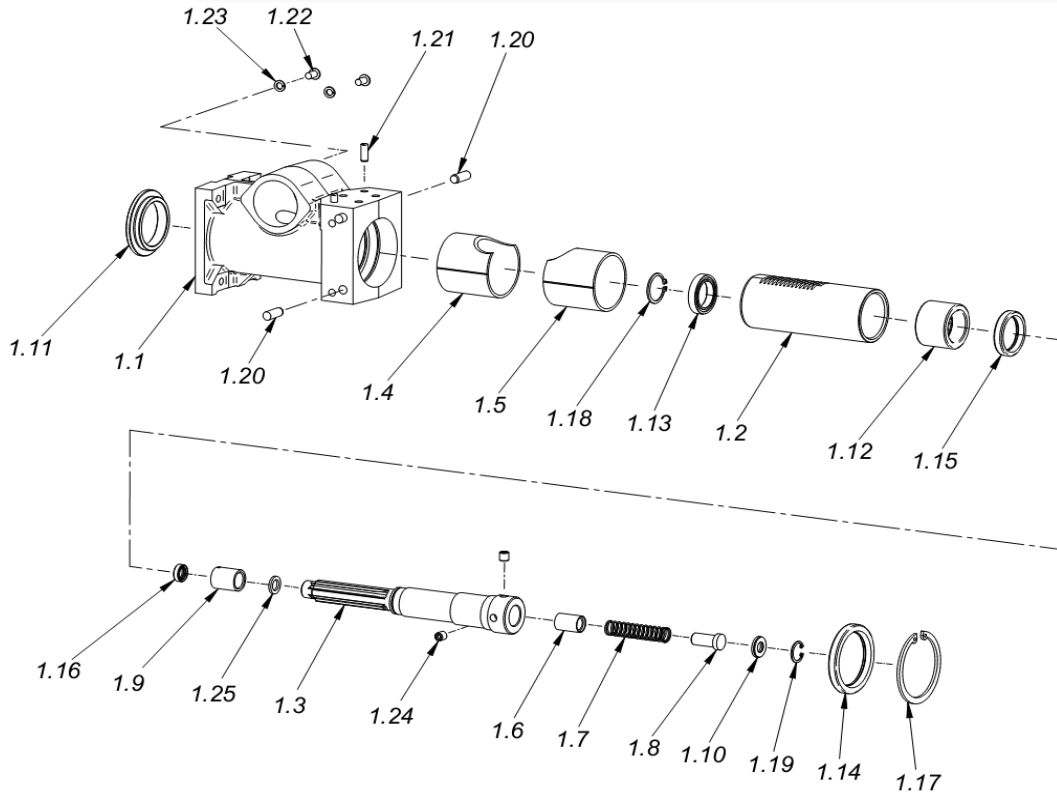
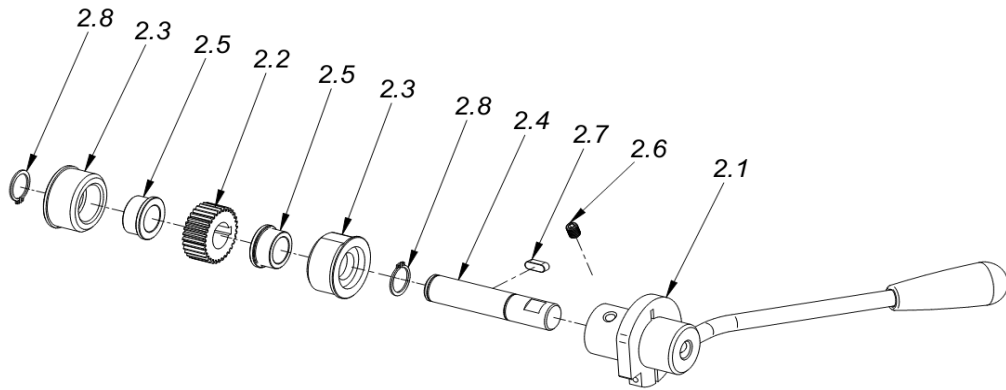


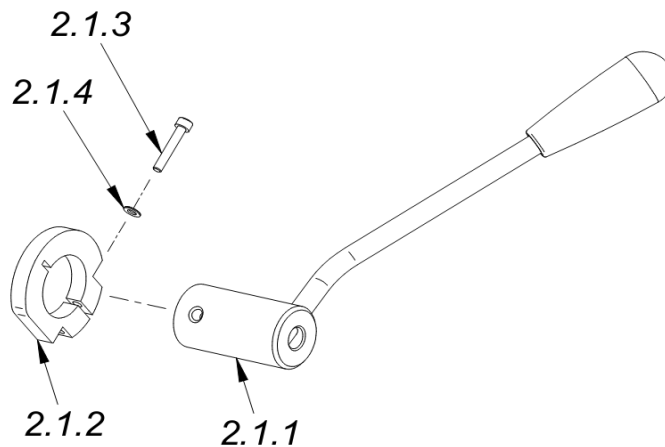
Pos. No.	Article no.	Description	pc
1	6013141	Feed with spindle	1
2	6013221	Gear shaft complete	1
3	6013231	Reduction gear unit	1
4	6013241	Clamp	1
5	6013251	Gasoline engine complete	1
6	6013931	Handle	1
7	6013941	Operating lever	1
8	6013951	Upper fixation	1
9	6013961	Lower fixation	1
10	6013971	Control spring	1
11	6013261	Screw M8x25 DIN 7380	7
12	6013271	Screw with UNF tapping 1/4"-28UNFx7/8" DIN 933	4
13	6012881	Screw M6x16 DIN 7380	2
14	5014531	Hexagon socket with pilot recess M4 x16 DIN 6912	4
15	6013171	Hexagon socket M6x35 DIN 912	2
16	6010021	Spring washer 6,1 DIN 7980	4
17	6020961	Nut M6-8 DIN 934	5
18	6013981	Motor protecting sheet	1
19	6010011	Hexagon socket M6x16 DIN 912	3



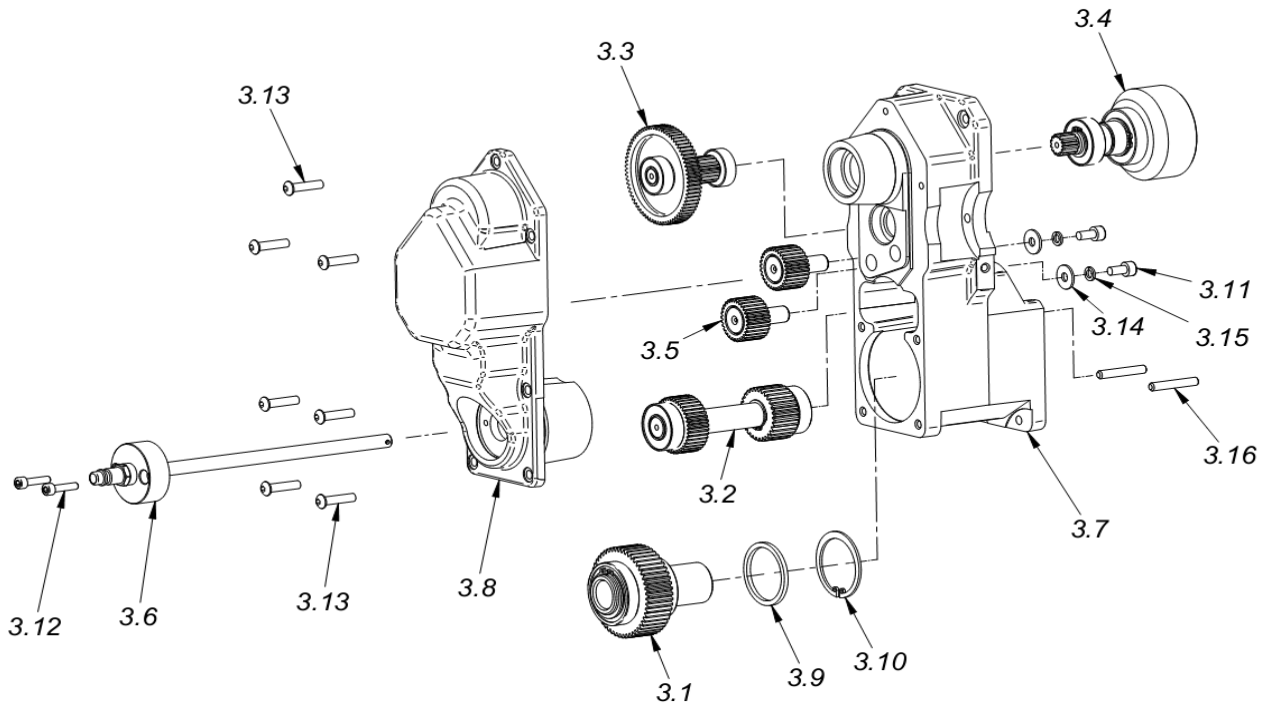
Pos. No.	Article no.	Description	pc
1.1	6013991	Housing for spindle	1
1.2	6014021	Round rack	1
1.3	6014031	Spindle	1
1.4	6014041	Bushing 1	1
1.5	6014051	Bushing 2	1
1.6	6014061	Wrapping	1
1.7	6014071	Spring	1
1.8	6014081	Bolt	1
1.9	6014091	Seal holder	1
1.10	6012491	Sealing washer	1
1.11	6014111	Centering bushing	1
1.12	6014121	Ball bearing NX30	1
1.13	6014131	Ball bearing 61805 ZZ	1
1.14	6014361	Radial seal ring 50x65x7	1
1.15	6014371	Radial seal ring 32x42x7	1
1.16	6014381	Radial seal ring 10x16x5	1
1.17	6014391	Snap ring internal 65W	1
1.18	6014401	Snap ring external 25 teeth	1
1.19	5013381	Circlip ring inside 19W	1
1.20	6014411	Pin 8x26	4
1.21	6014421	Clamping pin 6m6x16	2
1.22	6014431	Screw M6x10 DIN 7380	2
1.23	6013281	Spring circlip 6,1 DIN 128	2
1.24	6010181	Set screw M8x8 DIN 913	2
1.25	6014441	Seal washer	1



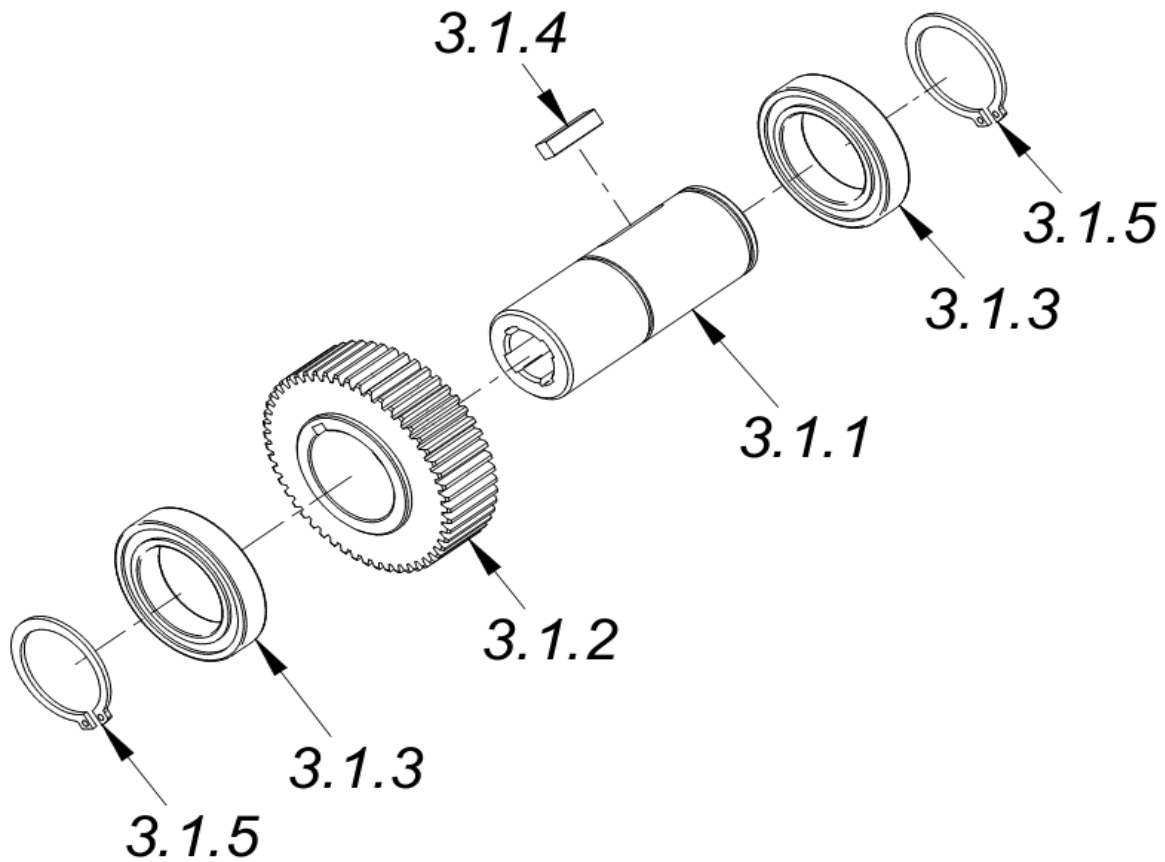
Pos. Nr.	Artikelnr.	Artikelbeschreibung	Stk
2.1	6013291	Gear shaft	1
2.2	6014461	Gear wheel Z=32	1
2.3	6012541	Holder for guide shaft	2
2.4	6014451	Gear shaft	1
2.5	6012531	Self-lubricating jack	2
2.6	8020891	Set screw M8x10 DIN 913	1
2.7	6012571	Spring 6x6x16 DIN 6885	1
2.8	6012401	Circlip ring outside 20 teeth DIN 471	2



Pos. No.	Article no.	Description	pc
2.1.1	6014481	Feed lever	1
2.1.2	6014491	Cam disc	1
2.1.3	6012351	Hexagon socket M5x30 DIN 912	1
2.1.4	6012331	Spring washer 5,1 DIN 128	1



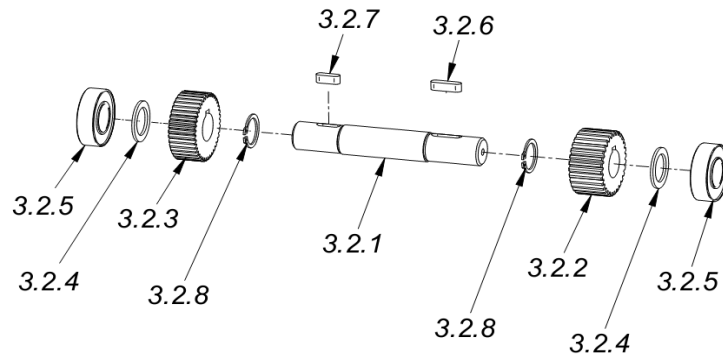
Pos. No.	Article no.	Description	pc
3.1	6013301	Gear wheel assembly Z=52	1
3.2	6013311	Gear wheel assembly Z=30	1
3.3	6013321	Gear wheel assembly Z=18	1
3.4	6013331	Gear wheel assembly Z=14	1
3.5	6013341	Intermediate gear shaft	2
3.6	6013351	Cooling connection	1
3.7	6014501	Gearbox case	1
3.8	6014511	Cover for housing	1
3.9	6014521	Distance ring 40x46,9x3	1
3.10	6014531	Snap ring internal 47W	1
3.11	6012691	Hexagon socket M6x12 DIN 912	2
3.12	6010841	Hexagon socket M5x20 DIN 912	2
3.13	6012871	Screw M6x20 DIN 7380	7
3.14	6014551	Washer 6,5 DIN 9021	2
3.15	6010021	Spring washer 6,1 DIN 7980	2
3.16	6014561	Set screw M6x25 DIN 913	2



Pos. No.	Article no.	Description	pc
3.1.1	6014571	Hollow shaft	1
3.1.2	6014581	Gear wheel Z=52	1
3.1.3	6014591	Ball bearing 6906 LLU	2
3.1.4	6014601	Spring 5x5x20	1
3.1.5	6011921	Circlip ring outside 30 teeth	2

Spare part list 2015

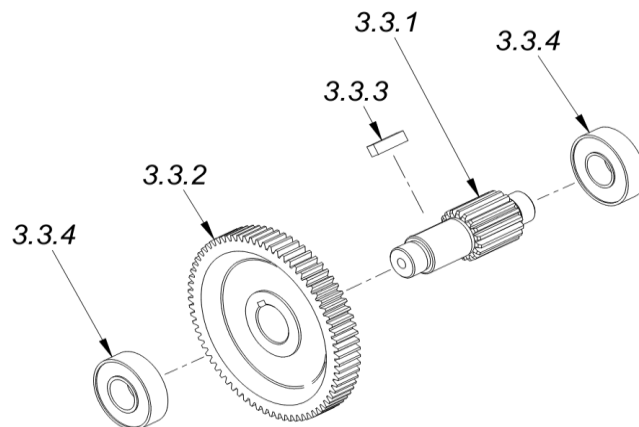
MAB 960 Gear wheel assembly Z=30



Pos. No.	Article no.	Description	pc
3.2.1	6014611	Shaft for Zahnradblock Z=30	1
3.2.2	6014621	Gear wheel Z=30	1
3.2.3	6014631	Gear wheel Z=40	1
3.2.4	6014641	Washer 17,2x25x1,5	2
3.2.5	5013301	Ball bearing 6003 ZZ	2
3.2.6	6014651	Spring 5x5x18	1
3.2.7	6014661	Spring 5x5x14	1
3.2.8	6014671	Circlip ring outside 17 teeth	2

Spare part list 2015

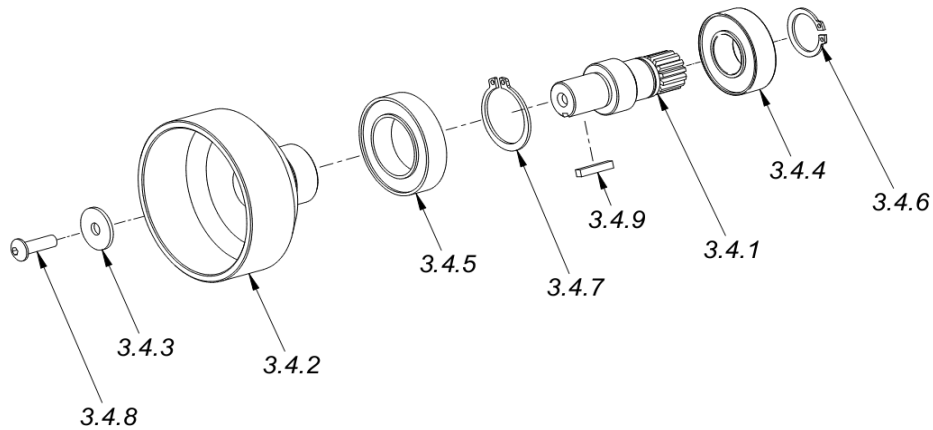
MAB 960 Gear wheel assembly Z=18



Pos. No.	Article no.	Description	pc
3.3.1	6014681	Gear shaft Z=18	1
3.3.2	6014691	Gear wheel Z=72	1
3.3.3	6014701	Spring 4x4x14	1
3.3.4	5010081	Ball bearing 6001 2Z	2

Spare part list 2015

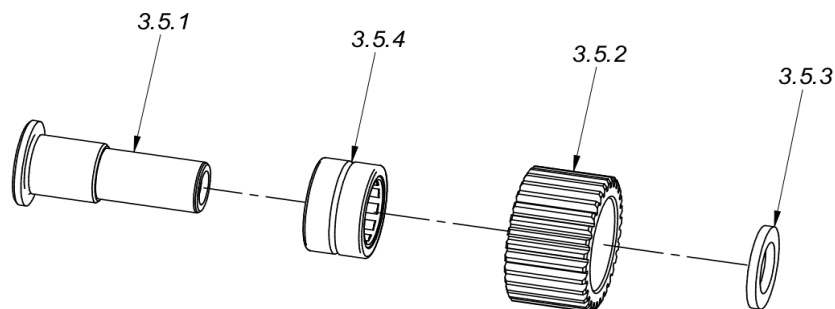
MAB 960 Gear wheel assembly Z=14



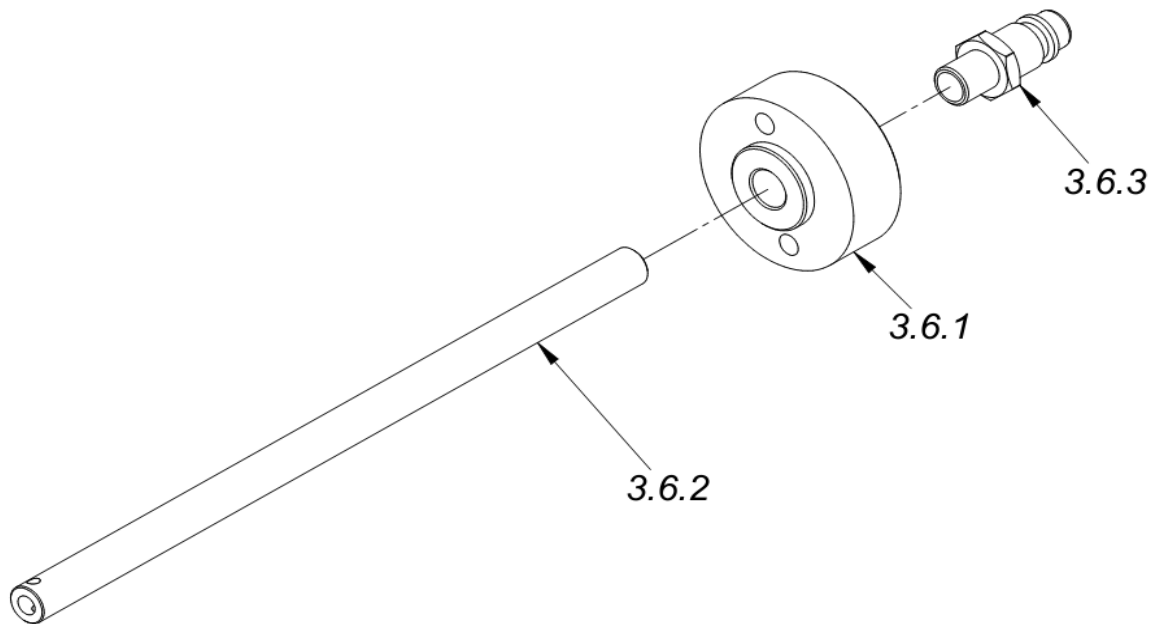
Pos. No.	Article no.	Description	pc
3.4.1	6014711	Gear shaft Z=14	1
3.4.2	6014721	Shaft coupling	1
3.4.3	6014731	Washer 18,5x5,2x1,5 DIN 440R	1
3.4.4	5013301	Ball bearing 6003 ZZ	1
3.4.5	6014741	Ball bearing 6905 ZZ	1
3.4.6	6014671	Circlip ring outside 17 teeth	1
3.4.7	6014401	Circlip ring outside 25 teeth	1
3.4.8	6012601	Screw M5x16 DIN 7380	1
3.4.9	6014771	Square spring 3x3x16	1

Spare part list 2015

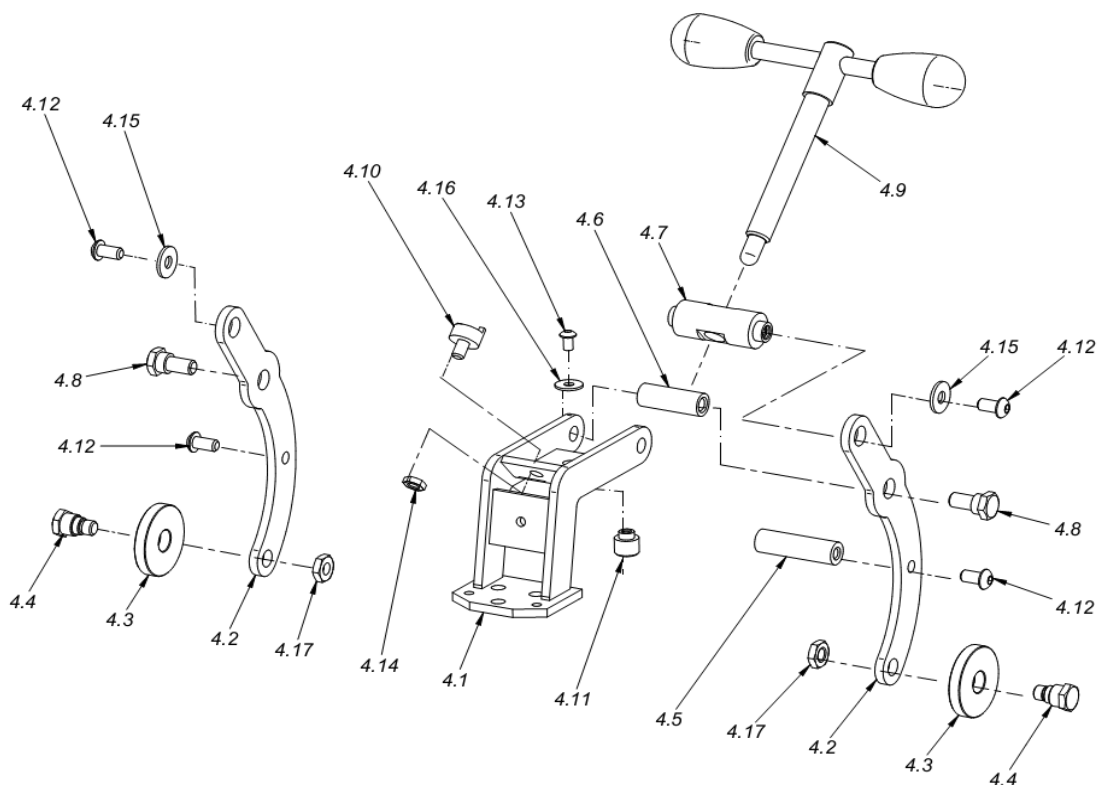
MAB 960 Intermediate gear shaft



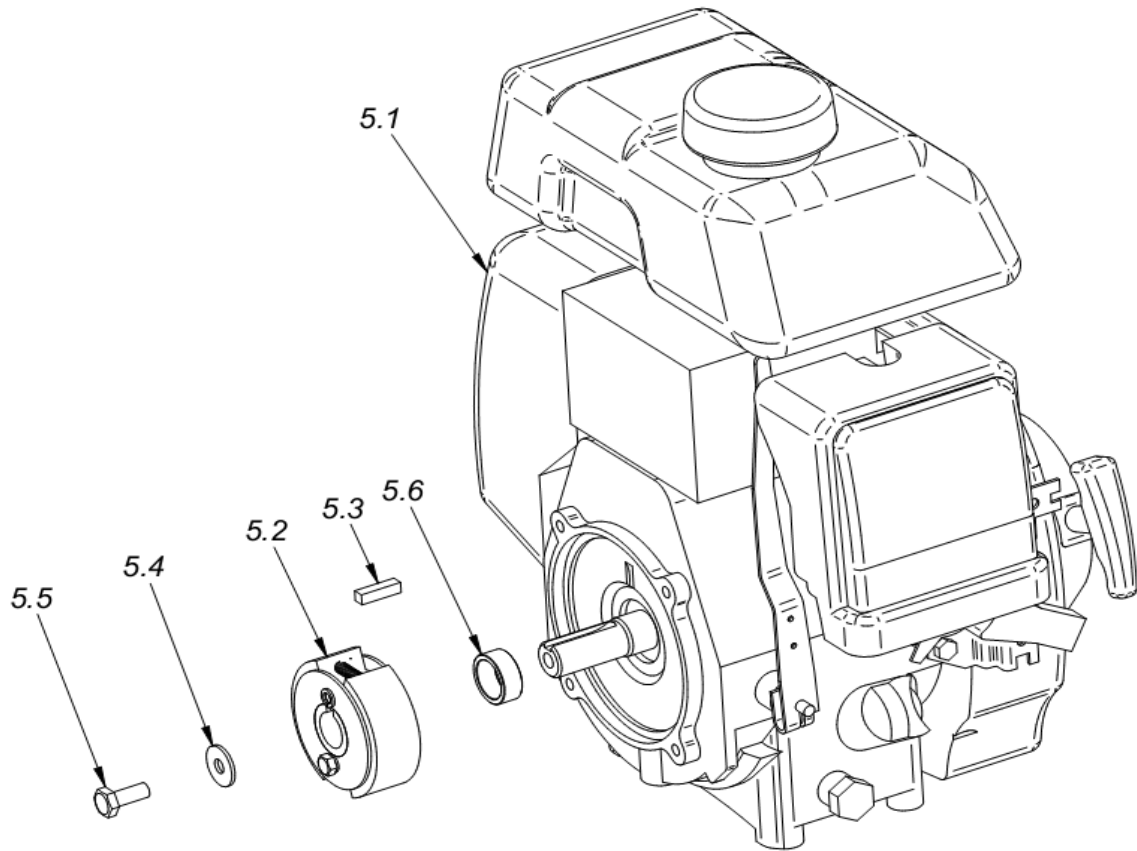
Pos. Nr.	Artikelnr.	Artikelbeschreibung	Stk
3.5.1	6014781	Shaft for intermediate gear shaft	1
3.5.2	6014791	Gear wheel Z=30	1
3.5.3	6014801	Distance ring 12,1x20x2	1
3.5.4	6014811	Annealing box 14x22x13	1



Pos. No.	Article no.	Description	pc
3.6.1	6014821	Housing for cooling connection	1
3.6.2	6014831	Cooling pipe	1
3.6.3	6014841	Bolting 1/8" for quick coupling	1



Pos. No.	Article no.	Description	pc
4.1	6014851	Clamp	1
4.2	6014861	Arm of clamp	2
4.3	6014871	Wheel of lamp	2
4.4	6014881	Special screw 1	2
4.5	6014891	Spacer 1	1
4.6	6014901	Spacer 2	1
4.7	6014911	Shaft	1
4.8	6014921	Special screw 2	2
4.9	6014931	Compression lever complete	1
4.10	6014941	Stop pin	1
4.11	6014951	Positioning pin	1
4.12	6013361	Screw M8x16 DIN 7380	4
4.13	6014431	Screw M6x10 DIN 7380	1
4.14	8030251	Nut M8 DIN 934	1
4.15	6014961	Washer 8,5 DIN 9021	2
4.16	6014551	Washer 6,5 DIN 9021	1
4.17	5011941	Flat nut M10 DIN 439	2



Pos. No.	Article no.	Description	pc
5.1	6014991	Gasoline engine	1
5.2	6015061	Coupling	1
5.3	6015071	Square spring 4,76x4,76x18	1
5.4	6014551	Washer 6,5 DIN 9021	1
5.5	6013371	Screw with UNF tapping 1/4"-28UNFx5/8" DIN 933	1
5.6	6015091	Spacer	1