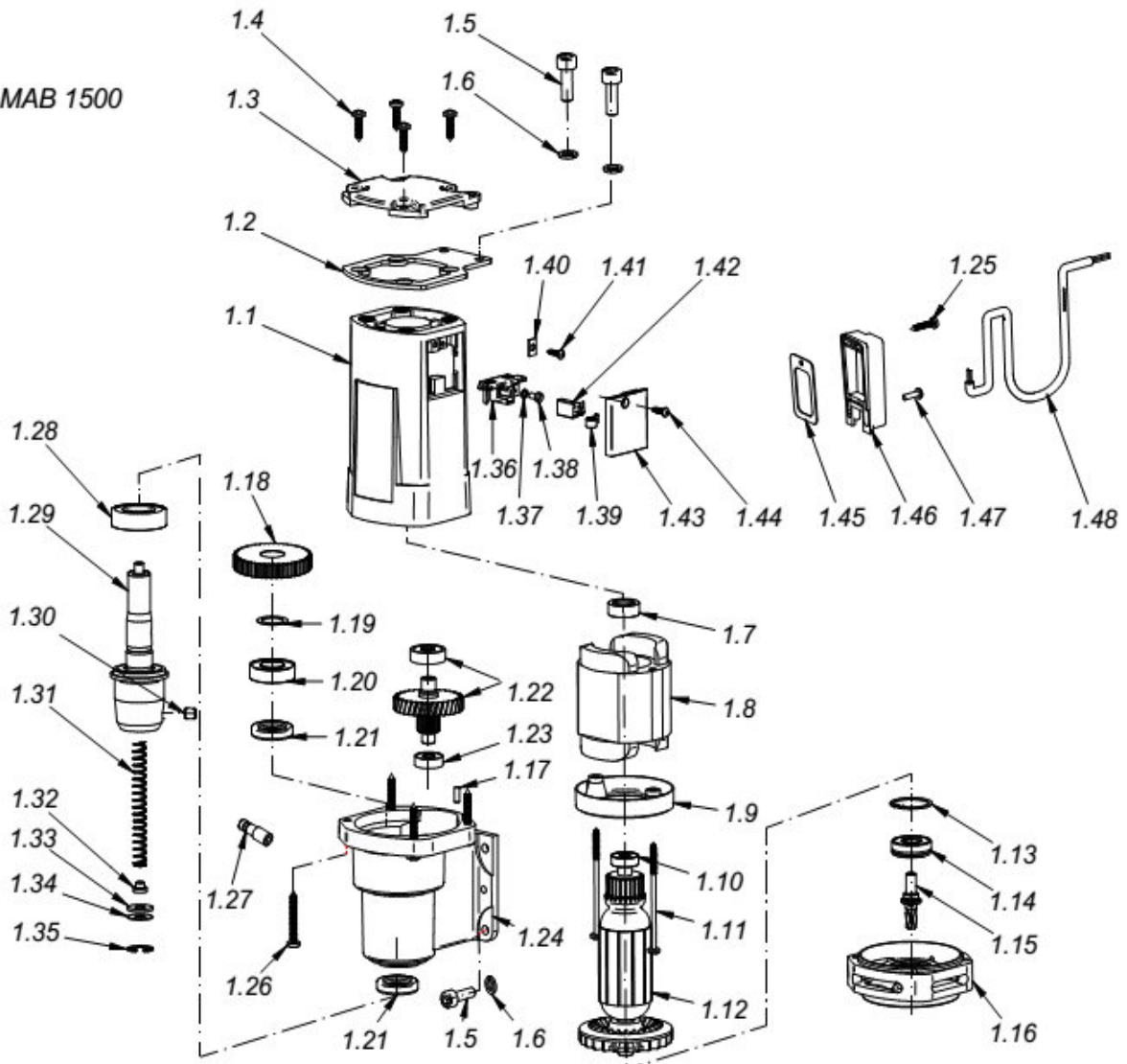
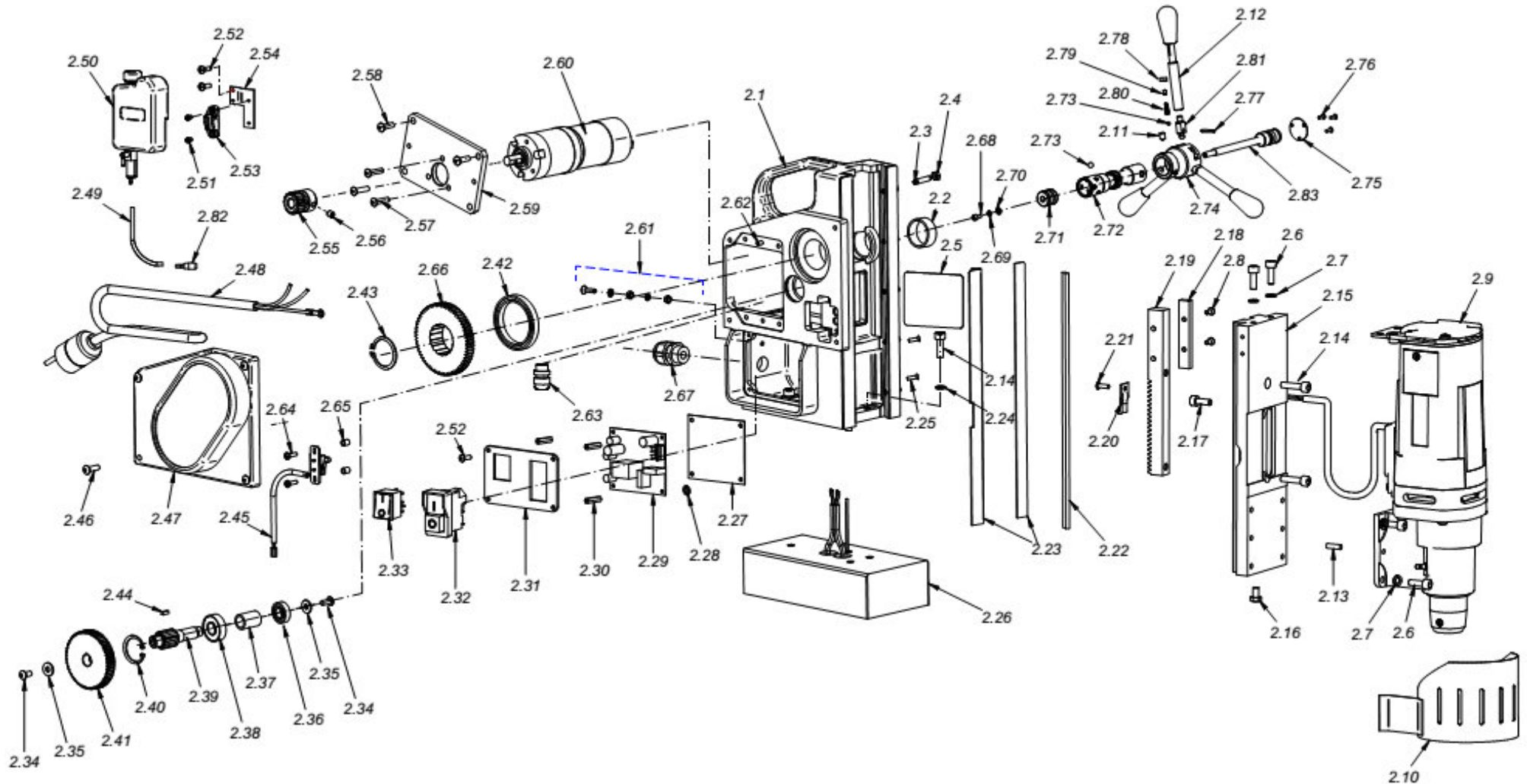


Motor AutoMAB 1500



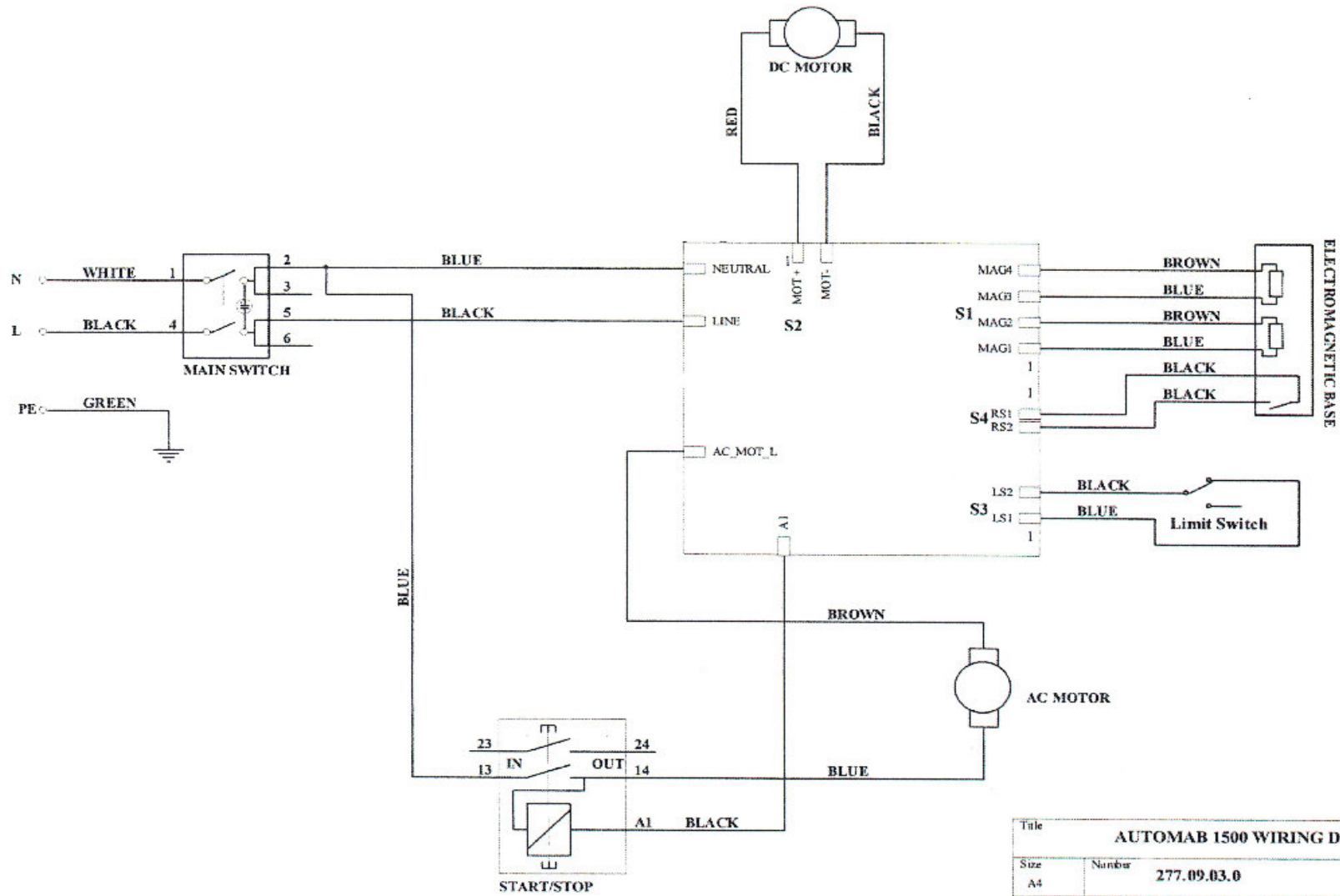
Pos. No.	Article no.	Description	pc
1.1	5012971	Motor housing	1
1.2	5013231	Motor support bracket	1
1.3	5013241	Cap for motor housing	1
1.4	5013251	Screw HC 4,8x19 DIN 7981	4
1.5	6015741	Hexagon socket M6x18 DIN 912	6
1.6	6010831	Spring washer 6,4 DIN 128	6
1.7	5013181	Bearing cap 22x9	1
1.8.1	5013171	Field coil 110V	1
1.8.2	5013161	Field coil 230V	1
1.9	5013151	Cap for field coil	1
1.10	5013141	Ball bearing 627 ZZ C3 S	1
1.11	5013131	Screw 4,8x85 DIN 7981	2
1.12.1	5013121	Armature 110V	1
1.12.2	5013111	Armature 230V	1
1.13	6010771	Circlip ring 32W	1
1.14	5013081	Ball bearing 6201 2BRS T9H C3	1
1.15	5013091	Armature shaft	1
1.16	5013101	Gearbox case	1
1.17	5010291	Pin M4x12 DIN 1474	1
1.18	5013321	Spindle gear 47 teeth	1
1.19	5013311	Washer	1
1.20	5013301	Ball bearing 6003 ZZ	1
1.21	5012461	Shaft seal 19x32x7	2
1.22	5013271	Pinion shaft	1
1.23	5010061	Ball bearing 608 ZZ	1
1.24	5013281	Gearbox case	1
1.25	5013051	Screw HC 4x25 DIN 7981	1
1.26	6012641	Screw 4,8x60 DIN 7981	4
1.27	ZSS 200N	Brass nipple for quick change coupling	1
1.28	6012761	Ball bearing 6004	1
1.29	5013341	Spindle	1
1.30	8020891	Set screw M8x10 DIN 913	2
1.31	5013351	Spring	1
1.32	5013361	Washer	1
1.33	6015351	Gasket seal	1
1.34	6015361	Washer	1
1.35	5013381	Circlip ring inside 19W	1
1.36	5013211	Carbon brush holder	2
1.37	5015091	Spring ring 4,2x0,5	2
1.38	5015081	Screw with groove M4x8-5.8 DIN 84	2
1.39	5015061	Spring 6x0,25	2
1.40	5015051	Connection plate 8x13	2
1.41	5015071	Screw HC 3,5x13 DIN 7981	2
1.42	5013221	Carbon brush 6,4x12,5x19	2
1.43	5013191	Cap for carbon brush	2
1.44	5013201	Screw HC 3,9x13 DIN 7981	2
1.45	6040021	Gasket	1
1.46	6040011	Protective cap	1
1.47	5013041	Screw with cross slot M4x14 DIN 7985	1
1.48	5013011	Motor cable unit	1

AutoMAB 1500



Pos. No.	Article no.	Description	pc
2.1	6011881	Housing	1
2.2	6013871	Bush bearing 28,05H7x32x16	2
2.3	6010041	Set screw M5x16 DIN 913	5
2.4	6010031	Nut M5 DIN 934	5
2.5	6012061	Cover for housing, back side	1
2.6	6015741	Hexagon socket M6x18 DIN 912	6
2.7	6012891	Washer 6,4 DIN 125A	6
2.8	5013061	Screw M4x10 DIN 7991	2
2.9.1	6015081	Motor complete 110V	1
2.9.2	6015001	Motor complete 230V	1
2.10	ZSS 055	Chip protection	1
2.11	6015751	Hexagon socket set screw M8x12 with adaptor end	3
2.12	6015631	Handle rod with knob	3
2.13	6015761	Hexagon pin 5m6x16 DIN 6325	2
2.14	6010111	Hexagon socket M6x25 DIN 912	5
2.15	5012981	Dovetail carriage	1
2.16	6011561	Hexagon socket M6x10 DIN 912	1
2.17	6015841	Hexagon socket M6x12 DIN 6912	1
2.18	5013001	Cover	1
2.19	6011901	Rack	1
2.20	5013021	Holder for motor cable	1
2.21	6015771	Screw M4x10 DIN 966	1
2.22	6011701	Guide rail	1
2.23	6012041	Guide rails (1 set right/left)	1
2.24	6010021	Spring washer 6,1 DIN 7980	3
2.25	6011791	Screw with cross slot M3x16 DIN 965	4
2.26	6012051	Magnet with indicator	1
2.27	6011711	Isolating disc	1
2.28	6015641	Spacer	4
2.29.1	6011731	Control board 110V	1
2.29.2	6011721	Control board 230V	1
2.30	6011781	Distance sleeve M3x20	4
2.31	6011771	Switch plate, front side	1
2.32.1	7012161	Actuator 110V	1
2.32.2	7012151	Actuator 230V	1
2.33	7010142	Magnet switch, 4 connection terminals	1
2.34	6011951	Hexagon socket M5x10 DIN 7380	2
2.35	6011961	Washer 5,5 DIN 9021	2
2.36	5010081	Ball bearing 6001 2Z	1
2.37	6015651	Spacer	1
2.38	6015661	Ball bearing 6900 ZZ	1
2.39	6015671	Gear shaft	1
2.40	6012271	Circlip ring inside 28	1
2.41.1	6011971	Gear wheel 60 teeth old version - not available anymore	1
2.41.2	6011972	Gear wheel 61 teeth new version	1
2.42	6011941	Bearing 61809 ZZ	1

Pos. No.	Article no.	Description	pc
2.43	6011921	Circlip ring outside 30 teeth	1
2.44	6012001	Siding block 3x3x8	1
2.45	6012011	Cable for stroke limiter	1
2.46	6015781	Screw M5x20 ISO 7380	4
2.47.1	6011911	Cover for housing old version - not available anymore	1
2.47.2	6011912	Cover for housing new version	1
2.48.1.1	7010052	Connection cable 110V with GB-plug	1
2.48.2.1	7010242	Connection cable 110V with US-plug	1
2.48.1.2	7010042	Connection cable 230V complete with plug	1
2.49	ZSS 200S	Coolant tube, short 260mm	1
2.50	ZKK 101	Coolant reservoir with tap	1
2.51	6011491	Hexagon socket M5x12 DIN 912	2
2.52	6011761	Screw with cross slot M4x12 DIN 7985	6
2.53	6015621	Holder for magnet without screws for cutting oil tank ZKK 100	1
2.54	6011801	Support bracket	1
2.55	6011821	Gear wheel for motor	1
2.56	6011831	Set screw M5x6 DIN 913	1
2.57	6011841	Hexagon socket M4x16 DIN 7380	3
2.58	6012601	Hexagon socket M5x16 DIN 7380	4
2.59	6011861	Motor plate	1
2.60	6011871	Feed motor	1
2.61	7010061	Earthing complete	1
2.62	6015051	Hexagon pin 6m6x14 DIN 6325	2
2.63	7010021	Gland PG9	1
2.64	6015791	Screw with cross slot M3x16 DIN 7985	2
2.65	6012031	Distance jack	2
2.66	6011931	Gear wheel 60 teeth	2
2.67	7050011	Cable Gland PG 11	1
2.68	4000111	Hexagon socket M4x10 DIN 912	1
2.69	6015801	Spring ring 4,1 DIN 128	1
2.70	6015811	Washer 4,3 DIN 9021	1
2.71	6015691	Clutch sleeve	1
2.72	6015701	Drive shaft 16 teeth	1
2.73	6013671	Ball 5 for feed shaft	2
2.74	6015711	Holder for handle	1
2.75	6015721	Cover	1
2.76	6015821	Screw M4x8 ISO 7380	3
2.77	6012081	Groove pin 4x26 for handle	3
2.78	6015831	Flat nut M6 DIN 439	2
2.79	6012511	Set screw M6x8 DIN 913	2
2.80	6013611	Latches spring for feed shaft	2
2.81	6012071	Thread for handle	3
2.82	ZSS 200K	Quick change coupling	1
2.83	6015731	Switching shaft	1



Title			AUTOMAB 1500 WIRING DIAGRAM		
Size	Number	Revision		Revision	
A4	277.09.03.0	40003041		40003041	
Date	2005-11-14	Sheet of			